



# cloud plain

Armchair and Sofa



### About Cloud

The Cloud seating range is designed to be inviting and comfortable without consuming masses of space. The tactile and fully upholstered surround provides a further element of luxury whilst offering a visual and acoustic haven for individual or group work.

### Compliance

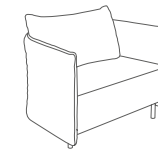
- SCS Indoor Advantage™ Gold Certificate
- FSC® certified products available upon request
- naughtone is FISP and ISO14001 certified
- Our seating is designed to meet or exceed all EN performance requirements per BS EN 16139:2013

### Sizes

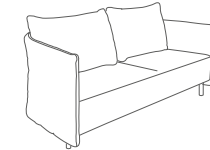
All dimensions quoted are rounded to the nearest 5mm or nearest 1/2 inch



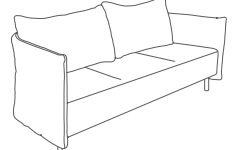
**CLOP1**  
Cloud Plain Armchair with Low Back  
mm W 800 D 750 H 650 Seat 400  
inch W 31.5 D 29.5 H 25.5 Seat 15.5



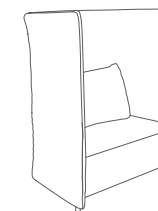
**CLOP15L**  
Cloud Plain 1.5 Seat Sofa with Low Back  
mm W 1100 D 750 H 650 Seat 400  
inch W 43.5 D 29.5 H 25.5 Seat 15.5



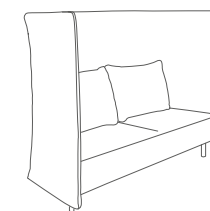
**CLOP2L**  
Cloud Plain 2 Seat Sofa with Low Back  
mm W 1600 D 750 H 650 Seat 400  
inch W 63 D 29.5 H 25.5 Seat 15.5



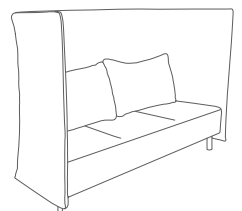
**CLOP3L**  
Cloud Plain 3 Seat Sofa with Low Back  
mm W 2100 D 750 H 650 Seat 400  
inch W 82.5 D 29.5 H 25.5 Seat 15.5



**CLOP15H**  
Cloud Plain 1.5 Seat Sofa with High Back  
mm W 1100 D 750 H 1300 Seat 400  
inch W 43.5 D 29.5 H 51 Seat 15.5



**CLOP2H**  
Cloud Plain 2 Seat Sofa with High Back  
mm W 1600 D 750 H 1300 Seat 400  
inch W 63 D 29.5 H 51 Seat 15.5



**CLOP3H**  
Cloud Plain 3 Seat Sofa with High Back  
mm W 2100 D 750 H 1300 Seat 400  
inch W 82.5 D 29.5 H 51 Seat 15.5

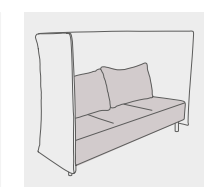
### Base Options



Black Powder Coated Steel Straight Legs Standard



Turned Solid Oak or Walnut Legs



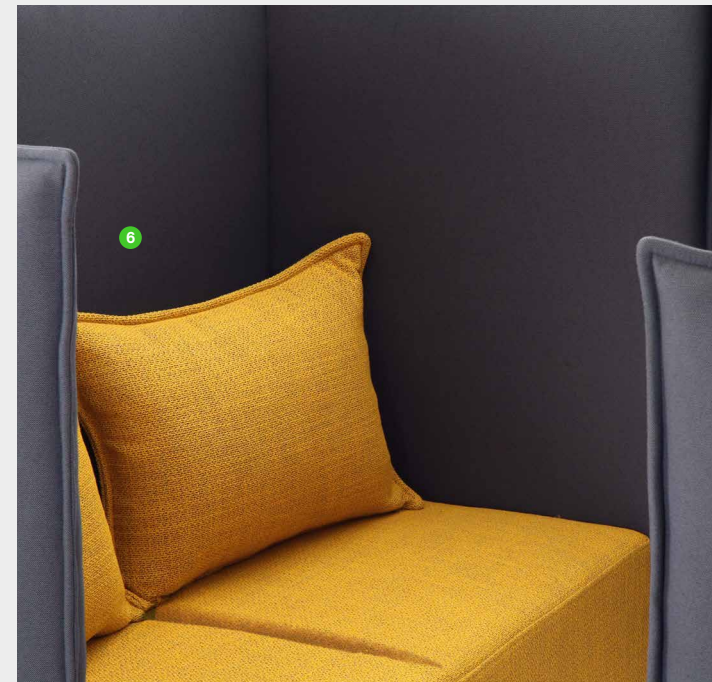
Two Tone Outer / Seat and Cushions

### Other Options



# cloud plain

## Booth



### About Cloud

The Cloud seating range is designed to be inviting and comfortable without consuming masses of space. The tactile and fully upholstered surround provides a further element of luxury whilst offering a visual and acoustic haven for individual or group work.

### Compliance

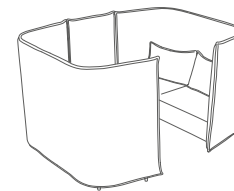
- SCS Indoor Advantage™ Gold Certificate
- naughtone is FSC® certified
- naughtone is FISP and ISO14001 certified
- Our booths are designed to meet or exceed all EN performance requirements per BS EN 16139:2013

### Sizes

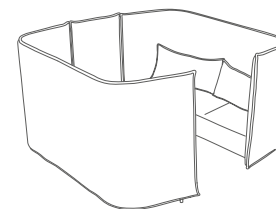
All dimensions quoted are rounded to the nearest 5mm or nearest 1/2 inch



**CLOBP15**  
**Cloud Plain 1.5 Seat Booth with Privacy Panel**  
 mm W 1100 D 2200 H 1300 Seat 400  
 inch W 43.5 D 86.5 H 51 Seat 15.5



**CLOBP2**  
**Cloud Plain 2 Seat Booth with Privacy Panel**  
 mm W 1600 D 2200 H 1300 Seat 400  
 inch W 63 D 86.5 H 51 Seat 15.5



**CLOBP3**  
**Cloud Plain 3 Seat Booth with Privacy Panel**  
 mm W 2100 D 2200 H 1300 Seat 400  
 inch W 82.5 D 86.5 H 51 Seat 15.5

### Base Options

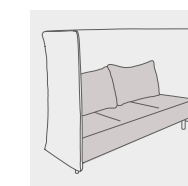


**Black Powder Coated Steel Straight Legs**  
 Standard



**Turned Solid Oak or Walnut Legs**

### Other Options



**Two Tone**  
 Outer / Seat and Cushions



















# Cloud Plain Seating Technical Specifications

## Testing

Our seating is designed to meet or exceed all EN performance requirements per **EN16139:2013**, which includes the following tests:

- Seat and back static load test
- Seat front edge static load test
- Vertical static load on back
- Foot rest and leg rest static load test
- Arm sideways static load test
- Arm downwards static load test
- Vertical upwards static load on arm rests
- Seat and back durability test
- Seat front edge durability test
- Leg forward static load test
- Leg sideways static load test
- Seat impact test
- Back impact test
- Arm impact test

## Structural Testing Certifications

### CLOP1

Cloud Plain armchair with steel legs

**ANSI/BIFMA X5.4 - 2012**  
Static load 300lbs

### CLOP2H

Cloud Plain 2 seat sofa with high back and steel legs

**BS EN 16139:2013, Level 1**  
Static load 160kg

### CLOP3H

Cloud Plain 3 seat sofa with high back and steel legs

**ANSI/BIFMA X5.4 - 2012**  
Static load 300lbs

### CLOP3L

Cloud Plain 3 seat sofa with low back and steel legs

**ANSI/BIFMA X5.4 - 2012**  
Static load 300lbs

## Flammability

The cold cure foam material has been tested to meet the following standards:

British standard **5852:2006 Part 2**

California Technical Bulletin **117-2013**

Italian standards **UNI 9175-CLASS 1.IM**

The flammability standard of the covering fabric is dependent on the choice made by the customer, details of the flammability rating of specific fabrics can be found on supplier's websites listed below.

- [www.kvadrat.dk](http://www.kvadrat.dk)
- [www.camirafabrics.com](http://www.camirafabrics.com)
- [www.butefabrics.com](http://www.butefabrics.com)
- [www.panaz.com](http://www.panaz.com)
- [www.maharam.com](http://www.maharam.com)
- [www.vescom.com](http://www.vescom.com)
- [www.ultrafabricsllc.com](http://www.ultrafabricsllc.com)
- [www.crestleather.com](http://www.crestleather.com)

## Servicing



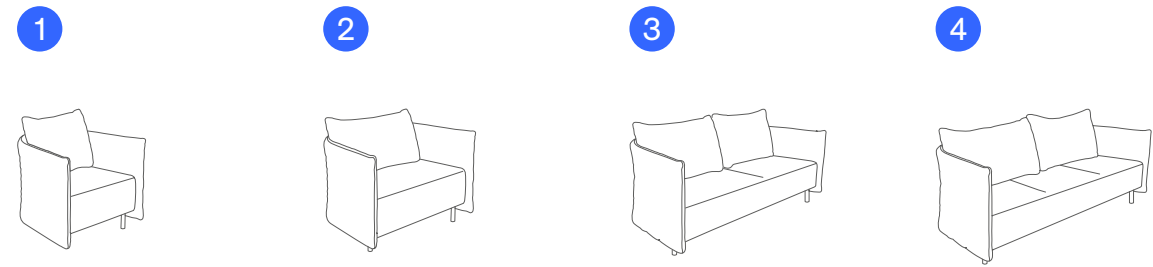
If a component is damaged and needs replacing then please email our team with an image of the damaged part and reference your order number, we will be happy to facilitate any replacements.

## Warranty



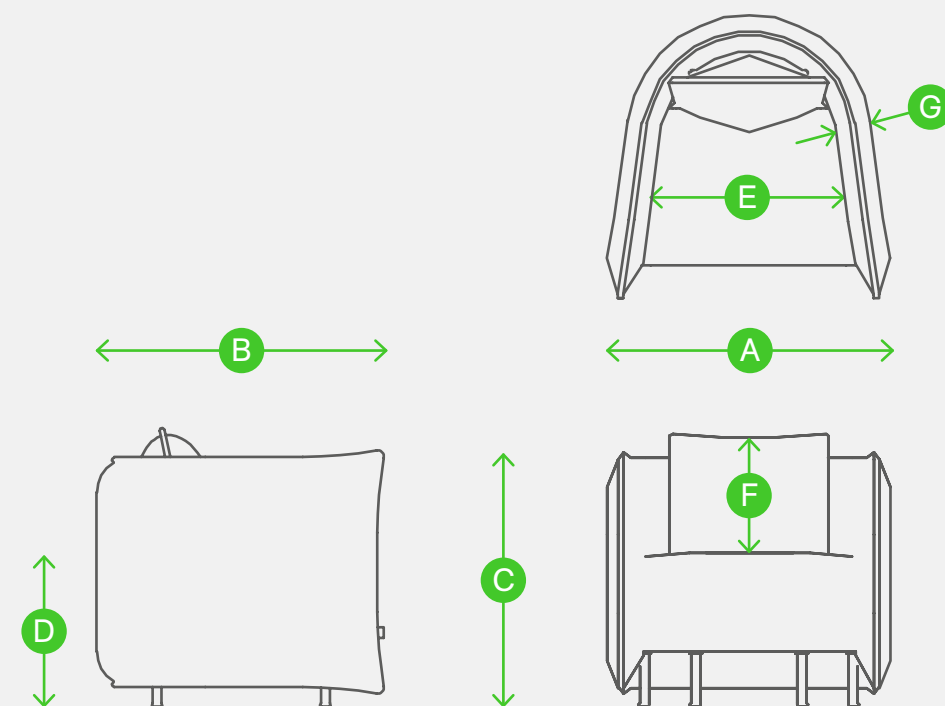
naughtone offers a **10 Year** warranty across all products. Details on the terms and conditions of naughtones warranty can be found at [naughtone.com/warranty](http://naughtone.com/warranty)

# Cloud Plain Seating Technical Specifications

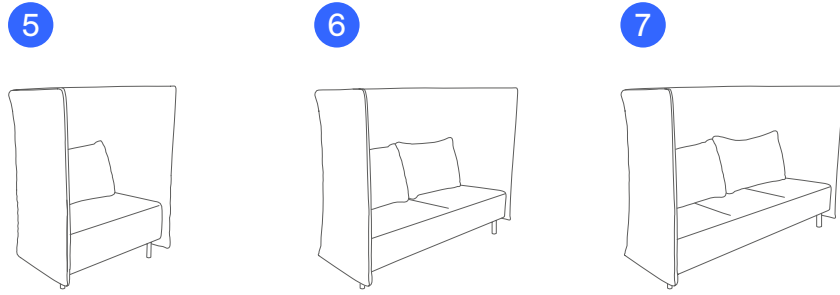


Product Code and Description <small>All dimensions quoted are rounded to the nearest 5mm or nearest 1/2 inch</small>	A Overall Width	B Overall Depth	C Overall Height	D Seat Height	E Seat Width	F Height from Seat to Top	G Surround Thickness	H Weight
<b>1</b> CLOP1 Cloud Plain Armchair with Low Back	800mm 31.5in	750mm 29.5in	650mm 25.5in	400mm 15.5in	570mm 22.5in	270mm 11in	80 mm 3.25 in	41.9kg 92.4lbs
<b>2</b> CLOP15L Cloud Plain 1.5 Seat Sofa with Low Back	1100mm 43.5in	750mm 29.5in	650mm 25.5in	400mm 15.5in	890mm 35in	270mm 11in	80 mm 3.25 in	37.9kg 83.6lbs
<b>3</b> CLOP2L Cloud Plain 2 Seat Sofa with Low Back	1600mm 63in	750mm 29.5in	650mm 25.5in	400mm 15.5in	1340mm 53in	270mm 11in	80 mm 3.25 in	59.3kg 130.7lbs
<b>4</b> CLOP3L Cloud Plain 3 Seat Sofa with Low Back	2100mm 82.5in	750mm 29.5in	650mm 25.5in	400mm 15.5in	1840mm 72.5in	270mm 11in	80 mm 3.25 in	75.1kg 165.6lbs

## Measuring Guide

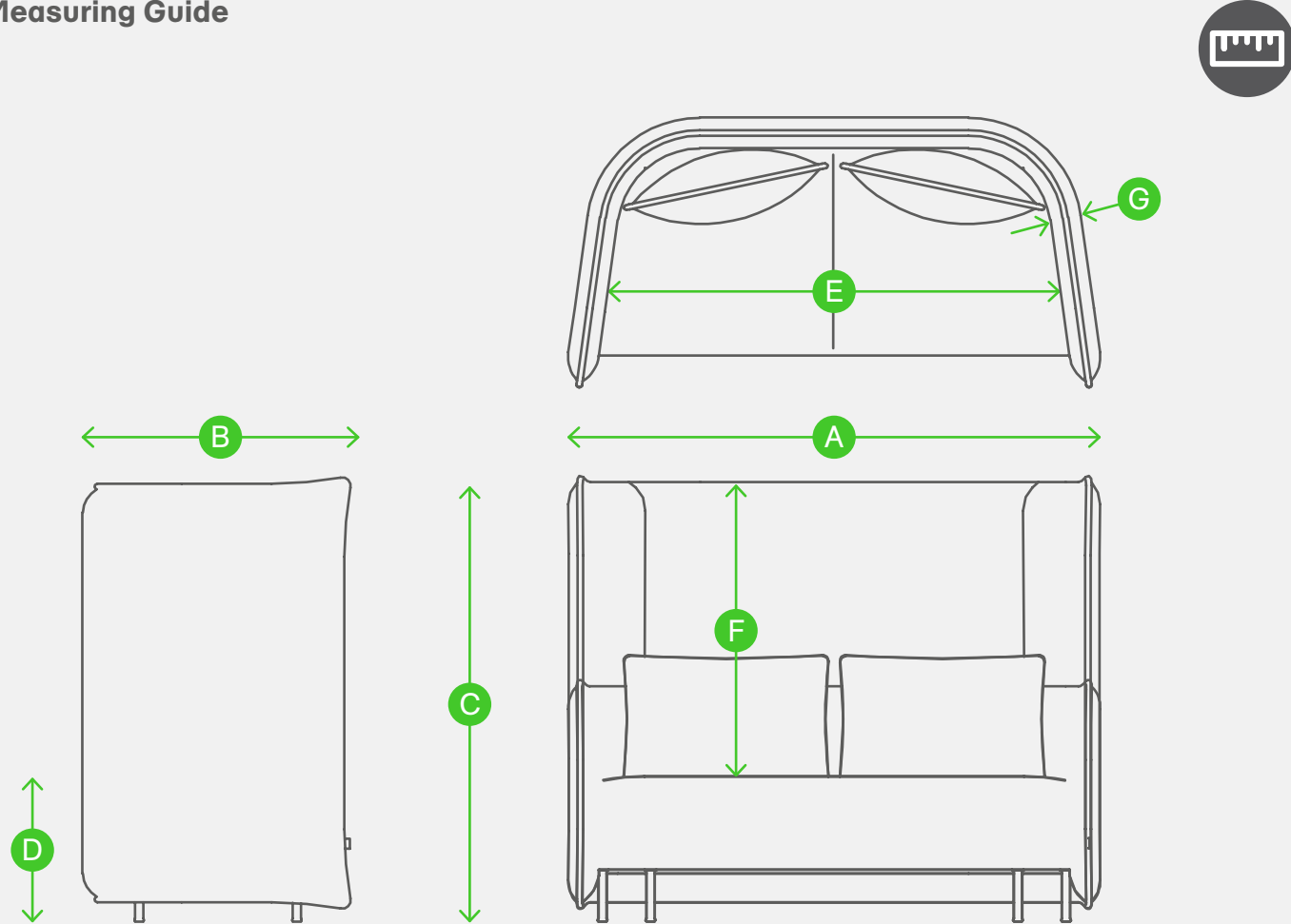


## Cloud Plain Seating Technical Specifications

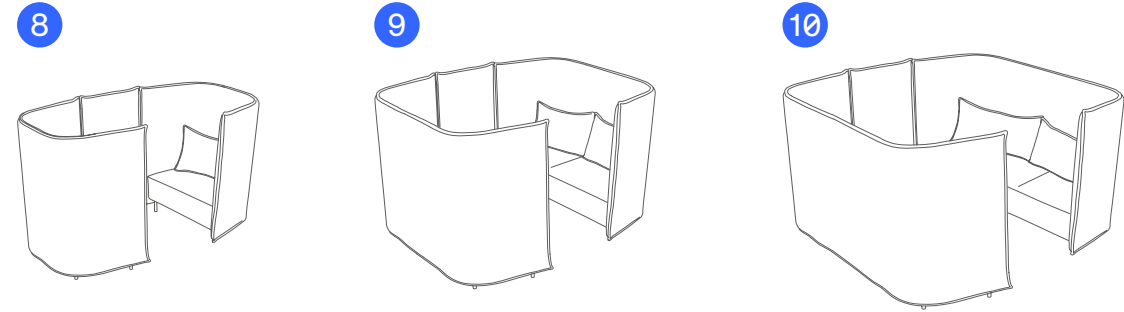


Product code and description	A Overall Width	B Overall Depth	C Overall Height	D Seat Height	E Seat Width	F Height from seat to top	G Surround Thickness	H Weight
<b>5</b> CLOP15H Cloud Plain 1.5 Seat Sofa with High Back	1100mm 43.5in	750mm 29.5in	1300mm 51in	400mm 15.5in	890mm 35in	900mm 35.5in	80 mm 3.25 in	44.1kg 97.2lbs
<b>6</b> CLOP2H Cloud Plain 2 Seat Sofa with High Back	1600mm 63in	750mm 29.5in	1300mm 51in	400mm 15.5in	1340mm 53in	900mm 35.5in	80 mm 3.25 in	62.1kg 137lbs
<b>7</b> CLOP3H Cloud Plain 3 Seat Sofa with High Back	2100mm 82.5in	750mm 29.5in	1300mm 51in	400mm 15.5in	1840mm 72.5in	900mm 35.5in	80 mm 3.25 in	90.8kg 200.2lbs

### Measuring Guide

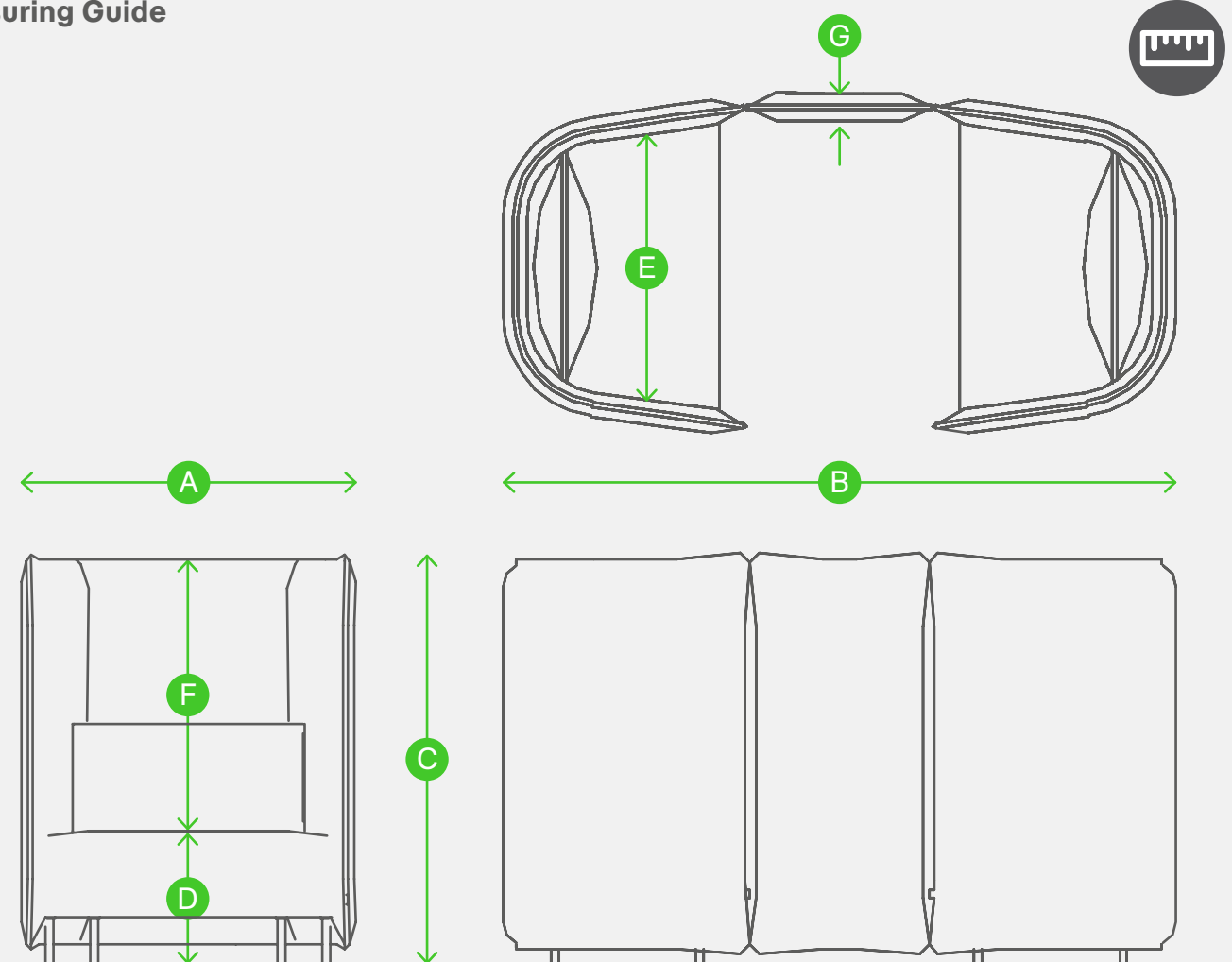


## Cloud Plain Booth Technical Specifications



Product Code and Description <small>All dimensions quoted are rounded to the nearest 5mm or nearest 1/2 inch</small>	A Overall Width	B Overall Depth	C Overall Height	D Seat Height	E Seat Width	F Height from Seat to Top	G Surround Thickness	H Weight
<b>8</b> CLOBP15 Cloud Plain 1.5 Seat Booth	1100mm 43.5in	2200mm 86.5in	1300mm 51in	400mm 15.5in	890mm 35in	900mm 35.5in	80 mm 3.25 in	90.7kg 199.9lbs
<b>9</b> CLOBP2 Cloud Plain 2 Seat Booth	1600mm 63in	2200mm 86.5in	1300mm 51in	400mm 15.5in	1340mm 53in	900mm 35.5in	80 mm 3.25 in	126.7kg 279.3lbs
<b>10</b> CLOBP3 Cloud Plain 3 Seat Booth	2100mm 82.5in	2200mm 86.5in	1300mm 51in	400mm 15.5in	1840mm 72.5in	900mm 35.5in	80 mm 3.25 in	184.1kg 405.7lbs

### Measuring Guide





# Cloud Plain Seating Environmental Product Summary



## Environment Attributes

- naughtone is **FISP** and **ISO14001** certified
- naughtone is **FSC®** certified
- **90.8kg** total weight
- **58% Recyclable** (steel frame, polypropylene, steel legs, brackets, foam, fixings and feet)
- **34.8% Reusable** (desk top)
- **23.9% Recycled Content** (steel frame, steel legs, brackets and fixings)
- **Indoor Advantage™ Gold** ANSI/BIFMA Furniture Emissions Standard (M7.1/X7.1-2011 R2016) and ANSI/BIFMA e-3-2014e (Credits 7.6.1, 7.6.2, 7.6.3)

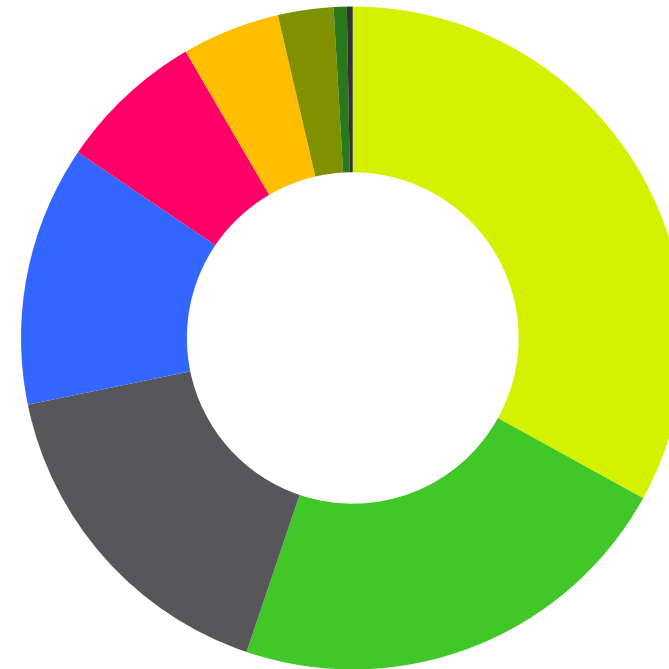
These attributes can help you to achieve criteria towards **LEED, BREEAM, Ska** and **WELL** building certifications



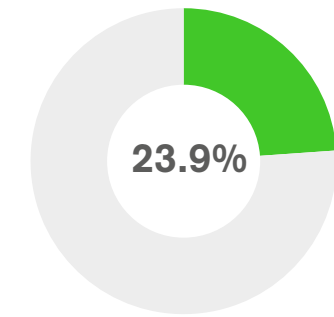
# Cloud Plain Seating Environmental Product Summary

## Material Percentage Split

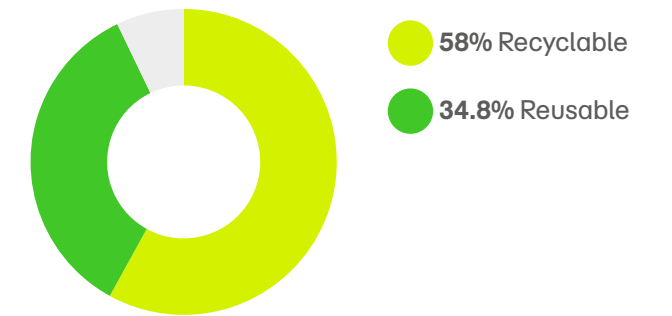
- 33.03% Mild Steel
- 22.16% OSB
- 16.58% CMHR foam
- 12.69% Particle Board
- 7.14% Fabric
- 4.77% Polypropylene
- 2.70% Fibre Fill
- 0.64% Mild Steel Zinc Plated
- 0.28% Stainless Steel



## Post Consumer Recycled Content



## Recyclable Content



## Product Specific Design Statement

The Cloud is available in a range of sizes and finishes but for the purpose of this document we have a specific example from the range:

**Cloud Plain 3 seat sofa with high back and black steel legs**

The Cloud back and side frame is constructed with bent mild steel tube with thin plywood cladding and dense foam inserts.

The outer screen and seat foam is CMHR and the back cushions are synthetic fibre filled.

The legs are made from mild tubular steel and powder coated in black.

## CSR Statement

naughtone has always considered the environment throughout our design and manufacturing process. We understand that as we continue to grow, so does our potential impact on our surroundings. As most of our raw materials are simple, we have great control over their sources, and are proud to be able to offer **FSC®certified** upholstered products and use recycled metals in our table ranges. The addition of our North American manufacturing provision also helps to keep manufacturing miles to a minimum, as our market continues to grow in the USA. Finally, naughtone offers a 'bring back' programme, where the client is able to return the product to our factory, where we will be happy to breakdown and recycle the parts for you.

Where sustainable sources are quoted, and a chain of custody is required by a customer this must be indicated on the purchase order to naughtone. A chain of custody requested after an order has been placed or delivered may be difficult to recover.

Figures stated in the Environmental product summary may vary based on model and options selected, we have based this document on a specific example when produced in the United Kingdom. Recycled content calculations are taken from supplier information and industry averages, material variables are likely to affect the figures which may result in higher or lower percentages.

This document will be reviewed and updated periodically and is subject to change without notice.



FSC® certified products available upon request



naughtone offers PEFC certified products







### 1 Design

Every aspect of the naughtone product ranges has been designed with the environment considered, from ethical material choice and production efficacy to storage efficiency and ease of disassembly.

Dense foam sets and resilient fabrics are selected for their longevity and effectiveness across sectors. Durable high quality finishes such as powder coated bases in a range of colours allow clients the freedom of finish options. Finish samples are available allowing clients to make informed decisions and retain to add to their finish libraries for future reference.

### 2 Raw Material

Local supply of raw materials is employed for the production of our products when possible, procured from suppliers that are quality inspected for extraction methods and meet the highest environmental standards.

### 3 Production

As many of our products are assembled by hand the energy expenditure wasted from machinery during the production process is kept to a minimum.

All fabrics are cut to ensure optimum efficiency with fabric usage and reduced waste consumption per unit.

All production sites have recycling facilities for any excess product that cannot be used elsewhere, which is then managed by a professional third party.

### 4 Distribution

Distribution of naughtone products generally occurs directly between the manufacturing site to the client. Production is localised when possible to the US or UK regions, reducing the carbon footprint and miles travelled for each product.

Many items are flat packed for delivery or shipped disassembled with efficient, minimised packaging; optimizing the transportation vessel space.

### 5 Usage

naughtone products do not require energy or water to function, thus no environmental exchange takes place and no waste is generated during the life of the product.

The only foreseeable need is the cleaning of the product for general maintenance. This includes regular vacuuming to remove dirt and dust particles on upholstery items, and using a dry or damp cloth to wipe non-upholstery items.

This is recommended for all products utilised under conditions of normal wear and is expected to have negligible environmental impacts.

### 6 End of Life

Although our products are durable and demonstrate timeless design, naughtone products are manufactured in such a way that they can be easily disassembled at the end of life and most of the componentry can be either recycled or re-used as applicable.

As a company we are also happy to accept the return of products, to help re-home or recycle furniture or components at the end of the products useful life.

#### UK Showroom

6 Bakers Yard  
Clerkenwell  
London EC1R3DD  
T: +44 (0)20 389 22 788

#### US Showroom

Suite 10-110  
222 Merchandise Mart Plaza  
Floor 10  
Chicago IL 60654

#### naughtone HQ

Knaresborough Tech Park  
Manse Lane  
Knaresborough HG5 8LF

T: +44 (0) 1423 816 500  
E: sales@naughtone.com

[www.naughtone.com](http://www.naughtone.com)